

AMP28 Series

24Vdc/48Vdc Output
L-Band Multiplexer / Power Supply Unit

Compact and reliable AC to DC switching power supply with multiplexer to provide a common IFL input for Agilis Block-Up Converter (BUC).

Built-in Bias-T blocks incoming DC, multiplexes internal DC with L band and/or 10MHz reference.

Designed to exceed the rigorous quality and performance requirements of today's leading-edge communication solution. Available in both outdoor and indoor package.

Features

- Low output ripple
- High power efficiency
- Multiplexed DC with L-band and 10MHz reference
- Extremely reliable
- Wide AC input range 90 to 264Vac
- Wide operating temperature -40°C to +60°C for outdoor model
- IP65 Weatherproof
- RoHS Compliant

Quality Assurance

100% thorough stringent quality checks in addition to well-defined Electrical Stress Screening to ensure operation in harsh outdoor environment conditions. All subjected to seal test for water ingress verification.

Reliability

Field proven under harsh environment conditions.

Agilis ODUs can withstand temperature ranging from -40°C to +60°C under 100% humidity.

Agilis IDUs can withstand temperature from 0°C to +50°C under 95% humidity.

AMP28 Series

24Vdc/48Vdc Output

L-Band Multiplexer / Power Supply Unit



Technical Specifications

DC Specifications

Input Voltage	90 to 264Vac, 47 to 63Hz
Output Voltage	24Vdc/48Vdc $\pm 5\%$
Protection	Over Current

Multiplexer Specifications

Input Frequency	950MHz to 1825MHz
Output Frequency	950MHz to 1825MHz
Insertion Loss	2dB Max
Gain Flatness Full Band	2dB Max

Interface

Outdoor PSU	12-3P @AC Input N-type Female @L-BD Input N-type Female @Output
Indoor PSU	3-core power cable open-end @AC Input F-type Female @L-BD Input F-type Female @Output

Product Selection

Application	BUC Series	BUC Output	PSU Model
Outdoor	ALBx29 (Ku band)	60W & below	AMP2801-350
Indoor	ALBx30 (Ku band)	10W & below	AMP280x-120-DM
	ALBx50 (X band)		
Indoor	ALBx90 (C band)	12W to 60W	AMP2801-400-DM

Environmental

Operating Temperature	-40°C to +60°C (Outdoor PSU) 0°C to +50°C (Indoor PSU)
Relative Humidity	Up to 100% (Outdoor PSU) Up to 95% (Indoor PSU)
Weatherproof	IP65 (Outdoor PSU)

Mechanical

Dimension (excluding interface connectors)	L190 x W189 x H107mm (Outdoor PSU) L7.48" x W7.44" x H4.21" L295 x W140 x H57mm (Indoor PSU) L11.61" x W5.51" x H2.24"
Weight	3Kg / 6.6lbs (Outdoor PSU) 1.7kg / 3.8lbs (Indoor PSU)

NOTE: All specifications subject to change without notice
B01K16

AMP28 Series

Power Supply Unit with Multiplexed 24Vdc/48Vdc+L-Band+10MHz Output

Standard Part List for AMP28

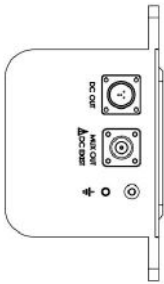
ITEM	PRODUCT NAME	OPTION	PART NUMBER	QTY	DESCRIPTION
1	AMP	Outdoor / Indoor	AMP2801-xxx AMP280x-xxx-DM	01	PSU W/MUX DC Out AC In
2	Prime Power Input Cable	Outdoor / AC 220V	1001520980	01	Transient Protection Box 220Vac 5A 12-3S to Unterminated 3M

Option Items

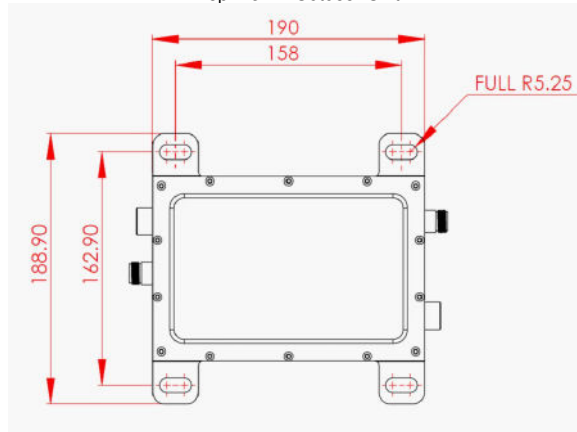
ITEM	PRODUCT NAME	OPTION	PART NUMBER	DESCRIPTION
1	Prime Power Input Cable	110Vac / 3M	1001520979	Transient Protection Box 110Vac 5A 12-3S to Unterminated 3M
		220Vac / 30M	1001522100	Transient Protection Box 220Vac 5A 12-3S to Unterminated 30M

Mounting Dimension Drawing

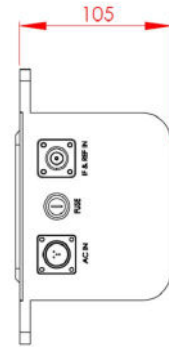
Side View – Outdoor Unit



Top View – Outdoor Unit



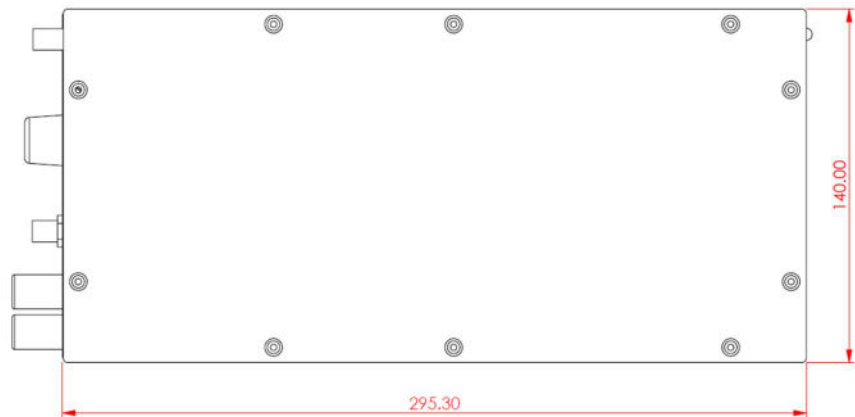
Side View – Outdoor Unit



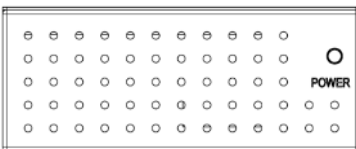
Side View – Indoor Unit



Top View – Indoor Unit



Side View – Indoor Unit



NOTE: Part list and drawing subject to change without notice
B01C16