



ASM3315 Series

3315 Outdoor Satellite Modem

ASM3315 is a rugged 3315 outdoor satellite modem for use in challenging environment. Ability to operate on either Evolution, Velocity or Dialog platform.

Supports broad array of mobility capabilities and is fully equipped to operate on HTS spot beams satellites, suitable for integration into highly compact COTM terminals for government and defence, broadcast and mobility markets.

Features

- Support Evolution, Dialog or Velocity platform
- DVB-S2 (up to 45Msps) / DVB-S2X* (up to 500Msps) outbound
- Supports DVB-S2X MODCODS up to 64APSK
- Return max rates up to 29Msps (ATDMA), 64Msps (SCPC), 25Msps (Mx-DMA MRC)
- Ideal for both fixed and mobility applications with peak throughput rates up to 120/48 Mbps
- Security features with Optional *AES 256 encryption
- OpenAMIP and GXT file support for mobility
- ATMEL chip for authentication
- Embedded TCP acceleration, GTP acceleration and header compression
- IP67 Waterproof Rated

Quality Assurance

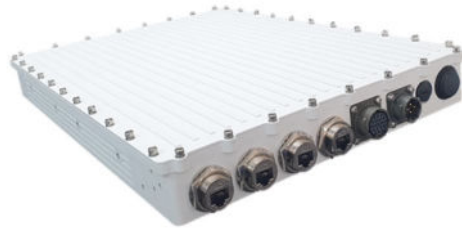
Stringent quality checks to ensure operation in harsh outdoor environment conditions. 100% subjected to seal test for water ingress verification.

Reliability

Designed to withstand operational temperature ranging from -25°C to +60°C under 100% humidity.

ASM3315 Series

3315 Outdoor Satellite Modem



Technical Specifications

Network Configuration

Network Topology	Rx	Tx			
Dialog	DVB-S2/DVB-S2X*	MF-TDMA	Mx-DMA HRC	Mx-DMA MRC	SCPC
Modulation	QPSK, 8PSK, 16APSK, 32APSK, 64APSK	4CPM	QPSK, 8PSK, 16APSK, 32APSK	QPSK, 8PSK, 16APSK, 32APSK, 64APSK	QPSK, 8PSK, 16APSK, 32APSK, 64APSK
Symbol Rate	1Msps to 480Msps	Up to 7.6Msps	Up to 20Msps	Up to 25Msps	1Msps to 64Msps
Velocity	DVB-S2	Adaptive TDMA			
Modulation	QPSK, 8PSK, 16APSK, 32APSK	BSPK, QSPK, 8PSK			
Symbol Rate	1Msps to 45Msps	Up to 7.5Msps			
Evolution	DVB-S2/DVB-S2X	Adaptive TDMA			
Modulation	QPSK, 8PSK, 16APSK, 32APSK, 64APSK	BSPK, QSPK, 8PSK, 16APSK, 32APSK, 64APSK, 16QAM			
Symbol Rate	1Msps to 64Msps	1Msps to 29Msps			

*Platform and release dependent

Interfaces

Transmit

Connector	N-Type Female 50Ω
Frequency Range	950-2400MHz
TX Output Power Level	-55dBm to +5dBm (Dialog) -45dBm to +5dBm (Velocity)
BUC Power Supply	24VDC 4A or 43~44VDC 3.5A @TX connector (software selectable)
BUC Reference	10/50 MHz, 1 to 5 dBm

Receive

Connector	Two N-Type Female 50Ω
Frequency Range	950-2150MHz
LNB Power Supply	13/18VDC, 0.5A max @RX connector
LNB Band Select	13/18V or 22KHz Tone On/Off
LNB Polarization Select	13/18V or 22KHz Tone On/Off

Interfaces

Data LAN

Connector	Four 100/1000 Mbps Ethernet, auto MDI/MDIX
Protocols Supported	UDP, IPv4 & IPv6, ICMP, TCP, IGMPv1, IGMPv2, ARP, DHCP, DNS, NTP, BGP, NAT, Diffserv Marking

Management I/O

Connector	Bayonet Circular Female 14-19
-----------	-------------------------------

Indicator

LED	Power Supply, Transmit, Receive, Alarm, Ethernet
-----	--

Reference

Connector	N-Type Female 50Ω
Frequency	10/50MHz
Power Level	1 to 5 dBm

Power Supply

Connector	Bayonet Circular Male 12-4
Input Voltage	24VDC (22.8V – 25.2V)
Input Current (excluding BUC & LNB)	1.2A typ.
Power Consumption (excluding BUC & LNB)	28.8W typ. 30.24W max.

Environmental

Operating Temperature	-25°C to +60°C
Storage Temperature	-40°C to +85°C
Relative Humidity	Up to 100%
Weatherproof	IP67

Mechanical

Dimension (excluding interface connectors)	L377 x W267 x H43mm L14.84" x W10.51" x H1.69"
Weight	3.5Kg / 7.7lbs

NOTE: All specifications subject to change without notice
B03D04

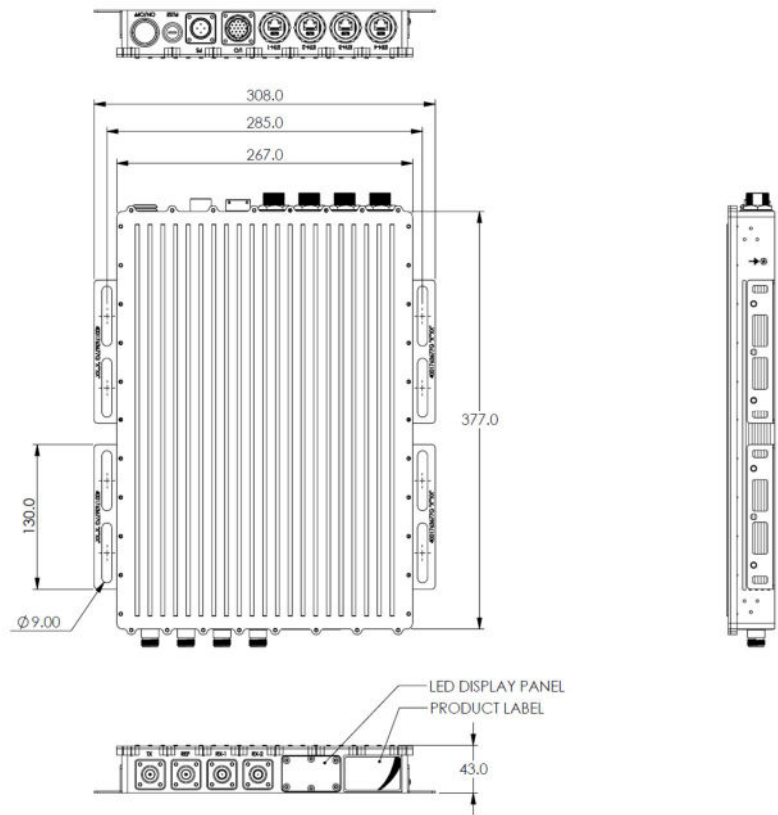
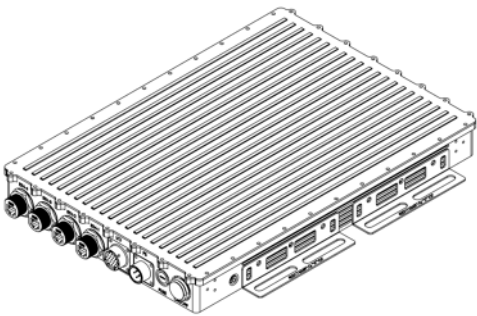
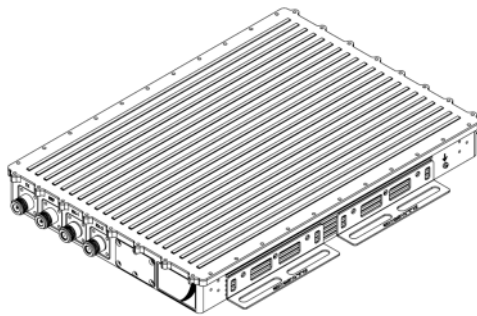
ASM3315 Series

3315 Outdoor Satellite Modem

Standard Part List

ITEM	PRODUCT NAME	OPTION	PART NUMBER	QTY	DESCRIPTION
1	Modem		ASM3315-24	01	Modem
2	Power Supply Connector		5702200042	01	CONN PLUG STRAIGHT SOCKET 12-4S SOLDER
3	I/O Connector		5702200041	01	CON PLUG STRAIGHT PIN 14-19P SOLDER
4	ETH Connector		P0006973-0001	04	CONN ETH RJ45 METAL SCREW THREAD IP67

Mounting Diagram



Option Item

ITEM	PRODUCT NAME	OPTION	PART NUMBER	DESCRIPTION
1	PSU		APSVAC24-185	Outdoor Power Supply 90-265VAC Input 24VDC Output
2	Power Supply Input Cable	2M	2502042554	C/A DC 12-4S TO 4CORE OPEN END 2M
3	Rack Mount Bracket		4001763692G	BRACKET PANEL RM HOLDER MODEM SMB3315

NOTE: Part list and drawing subject to change without notice
B03D04

ASM3315 Series



3315 Outdoor Satellite Modem

Connector Pin Configuration

ITEM	INTERFACE	CONNECTOR	PIN	FUNCTION
1	I/O	14-19S	A	RESET_N
			B	GND
			C	GND
			D	PWR_GOOD_P
			E	PWR_GOOD_N
			F	GND
			G	KEYLINE_B(N)
			H	KEYLINE_A(P)
			T	GND
			J	BUC_RXD_N
			K	BUC_RXD_P
			L	GND
			M	BUC_TXD_N
			N	BUC_TXD_P
			U	GND
			P	CM_RESET_P
V	CM_RESET_N			
R	GND			
S	ENABLE_N (SEL1)			
2	Power Supply	12-4P	A	+VE
			B	+VE
			C	-VE
			D	-VE

ORDERING INFORMATION

ASM

Product Series
Outdoor Modem

3315

Modem Series
3315

- **24**

Input Voltage
24 = 24Vdc

- **EV**

Platform
DI = Dialog
EV = Evolution
VE = Velocity