



ALB229 Series

Compact 100W/150W Plan Ku Band Block-Up Converter

Ideal for mobile and satellite uplink applications.

Innovative and excellent efficiency thermal design makes this BUC one of the most power efficient, robust and reliable to operate under harsh outdoor environment.

Simple and seamless 1+1 redundancy setup. Built-in redundancy-ready easily configured without need of external controller

Features

- Forward, input and reflected power detection
- Output sample port monitoring
- Monitoring and Control through Serial and Ethernet ports
- Fault identification and alarm generation
- LED status and alarm indicator
- Auto gain control throughout operating temperature
- Auto reference detection and switching option
- Built-in redundancy ready
- Wide operating voltage 90 to 264Vac
- Wide operating temperature -40°C to +60°C
- IP65 Weatherproof
- RoHS Compliant

Quality Assurance

100% thorough stringent quality checks in addition to well-defined Electrical Stress Screening to ensure operation in harsh outdoor environment conditions. All subjected to seal test for water ingress verification.

Reliability

Field proven under harsh environment conditions. Agilis ODUs can withstand temperature ranging from -40°C to +60°C under 100% humidity.

ALB229 Series

Compact 100W/150W Plan Ku Band
Block-Up Converter



Technical Specifications

RF Specifications

Band	Transmit	IF	LO
Plan	12.75 - 13.25GHz	950 – 1450MHz	11.80GHz

Output Power	P _{sat}	P _{linear}
100W	50.0dBm (100W)	46.2dBm (41.7W)
150W	51.8dBm (150W)	47.0dBm (50.1W)

Small Signal Gain	80dB min
Gain Flatness	±2dB within band ±1dB over 40MHz
Gain Variation	±2dB within band over operating temperature
Intermodulation	-25dBc max @ P _{linear}
Spurious	-60dBc max
Phase Noise	-95dBc/Hz max @100KHz offset -85dBc/Hz max @10KHz offset -75dBc/Hz max @1KHz offset
VSWR	1.5:1 max @input 1.25:1 max @output
Noise Power Density	Tx Band : -70dBW/4KHz max Rx Band : -142dBW/4KHz max

AC/DC Power

Prime Power	90 to 264Vac
Power Consumption	1300VA @ 100W 1600VA @ 150W

Interface

IF Input	N-Type Female 50Ω
RF Output	WR75 Square Grooved

Reference Requirement

Frequency	10MHz 50MHz (Option)
Power Level	-5dBm to +5dBm
Ext Ref Phase Noise	-160dBc/Hz max @100KHz offset -155dBc/Hz max @10KHz offset -150dBc/Hz max @1KHz offset

Monitor & Control

Monitor	BUC Temperature Status Alarm LED Indicator LO Unlock Alarm RF Forward and Input Power Detection Output Reflected Power Detection
Control	Gain adjustable 20dB with 0.5dB step RF Output On/Mute
Communication Port	Serial RS232/RS485 Ethernet (SNMP & HTTP)
Transmit Redundancy	Built-In

Environmental

Operating Temperature	-40°C to +60°C
Relative Humidity	Up to 100%
Weatherproof	IP65

Mechanical

Dimension (excluding interface connectors)	L400 x W250 x H207mm (100W) L15.75" x W9.84" x H8.15" L400 x W250 x H233mm (150W) L15.75" x W9.84" x H9.17"
Weight	18Kg / 39.7lbs (100W) 19.5Kg / 43lbs (150W)

NOTE: All specifications subject to change without notice
200418

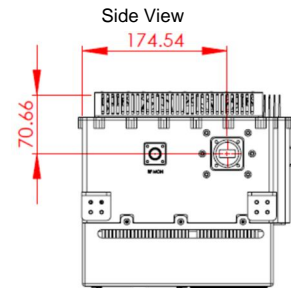
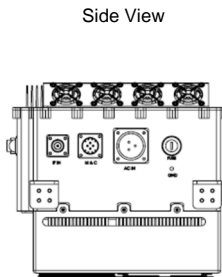
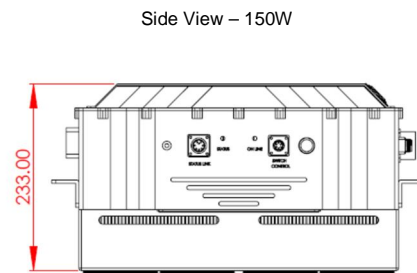
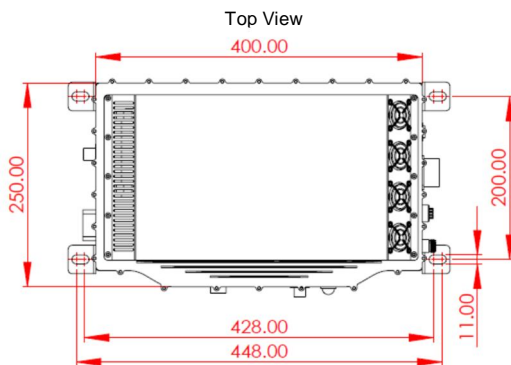
ALB229 Series

Compact 100W/150W Plan Ku Band Block-Up Converter

Standard Part List for Standalone Configuration

ITEM	PRODUCT NAME	OPTION	PART NUMBER	QTY	DESCRIPTION
1	BUC			01	BUC
2	Prime Power Input Cable	AC		01	Transient Protection Box 16A 22-9S to Unterminated 3M
3	M&C Cable	RS232 / RS485		01	Cable Assembly Serial/ETH 14-19P to DB9 2M
4	Converter	ETH	2502041166	01	Cable Assembly ETH-DB9 to RJ45 2M
5	Converter	RS485	6103480008	01	Converter USB to RS485
7	Mounting Accessory Set			01	Mounting screws including brackets and gasket for flange WR75

Mounting Diagram



Option Items

ITEM	PRODUCT NAME	OPTION	PART NUMBER	DESCRIPTION
1	WG Flexible	0.6m	4203490010	Flexible WG Ku band WR75 Sq Grooved to WR75 Sq Cover 0.6m
		1.0m	4203490049	Flexible WG Ku band WR75 Sq Grooved to WR75 Sq Cover 1m
		1.5m	4203490014	Flexible WG Ku band WR75 Sq Grooved to WR75 Sq Cover 1.5m

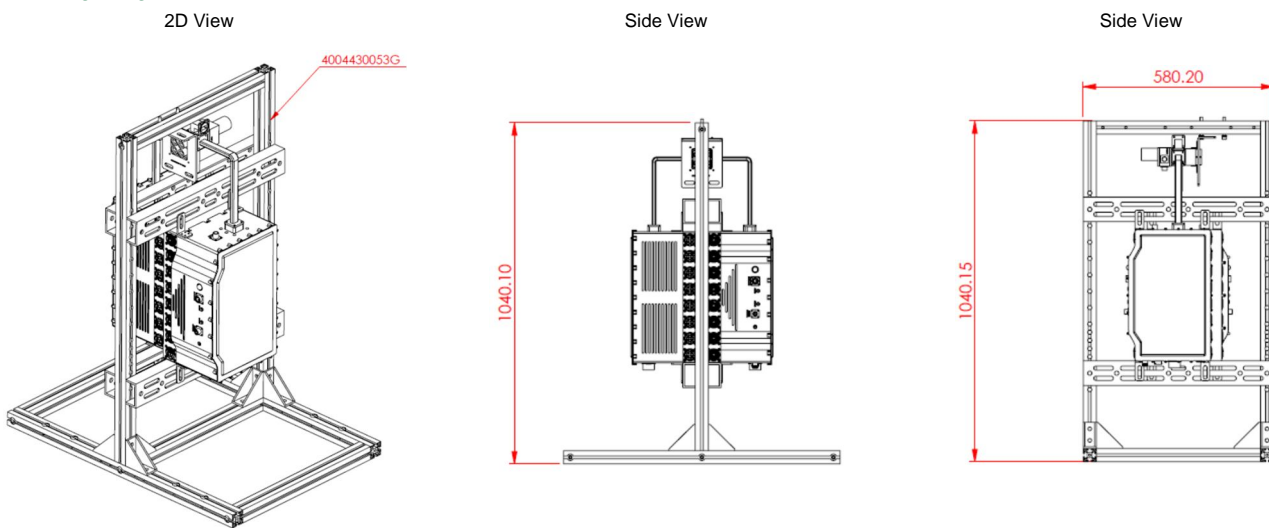
ALB229 Series

Compact 100W/150W Plan Ku Band Block-Up Converter

Standard Part List for Redundancy 1+1 Configuration

ITEM	PRODUCT NAME	OPTION	PART NUMBER	QTY	DESCRIPTION
1	BUC			02	BUC
2	Prime Power Input Cable	AC		02	Transient Protection Box 16A 22-9S to Unterminated 3M
3	M&C Cable	RS232 / RS485		02	Cable Assembly Serial/ETH 14-19P to DB9 2M
4	Converter	ETH	2502041166	02	Cable Assembly ETH-DB9 to RJ45 2M
5	Converter	RS485	6103480008	02	Converter USB to RS485
6	Mounting Accessory Set			01	Mounting screws including brackets, plates, and gasket for flange WR75
7	WG Flexible		4203490049	02	Flexible WG Ku band WR75 Sq Grooved to WR75 Sq Cover 1m
8	WG Switch			01	WG Switch Ku band WR75
9	Cable Status Link		2502041099	01	Cable Assembly Status Link 12-8P to 12-8P 1.8M
10	Cable Switch Control		2502041006	01	Cable Assembly Switch Tx Control 10-6S to 10-6P 3M
11	Cable Switch Control		2502040155	01	Cable Assembly Switch RCU Control 10-6S to 10-6P 3M
12	Cable RF		6202040155	02	Cable Assembly RF N (M) to N (M) 1.5M
13	Termination Load			01	Termination Ku band WR75
14	Termination			01	Termination N (M)

Mounting Diagram



Option Item

ITEM	PRODUCT NAME	OPTION	PART NUMBER	DESCRIPTION
01	Mounting Frame		4004430053G	Mounting Frame w 1 Vertical Frame H1040 x W580mm, Base 840 x 580mm

NOTE: Part list and drawing subject to change without notice
200418